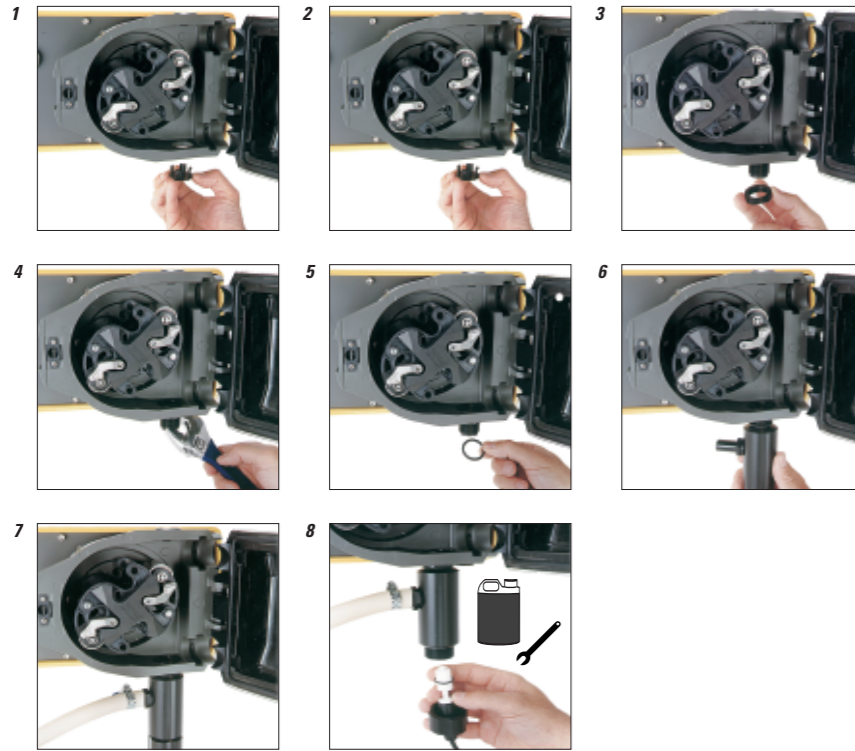
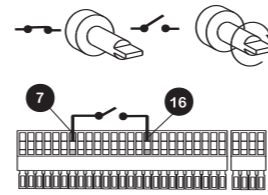


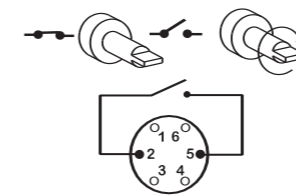
620AL



624Di



624U

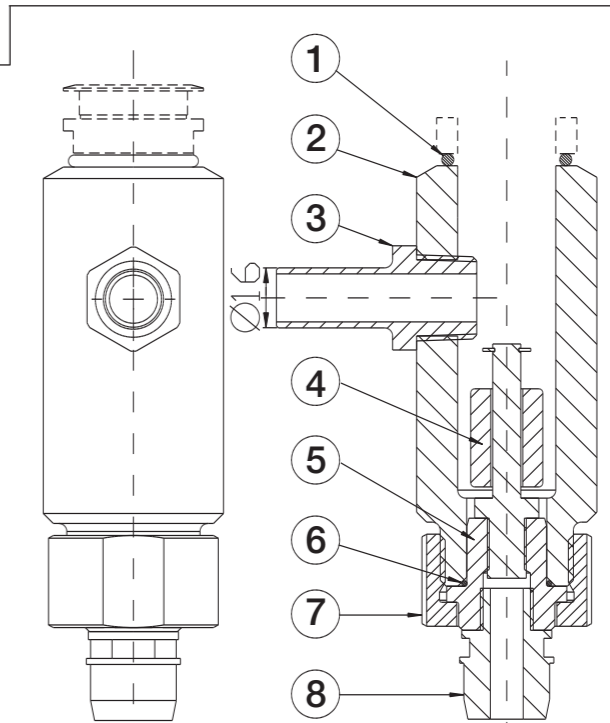
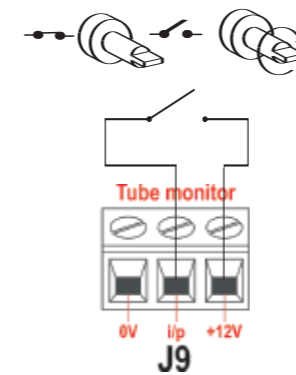


624S, 623S, 621CC = 621AI

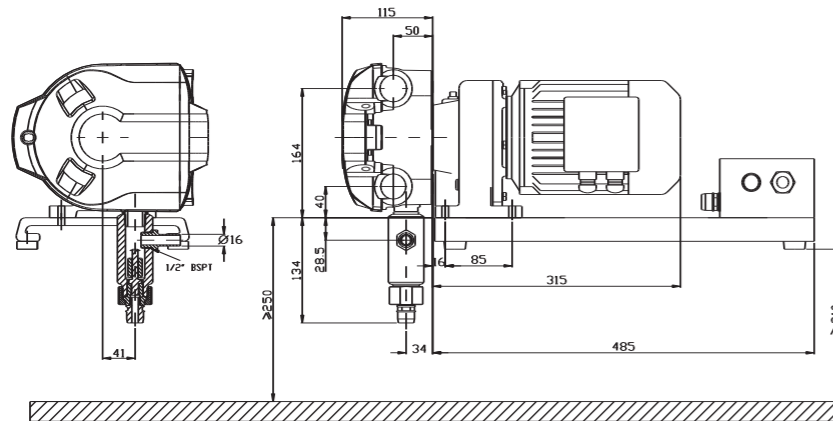
110v-120v/1/60Hz - 069.7301.00A
230v-240v/3/60Hz - 069.7301.00E



620UN, 620DuN, 620DiN



- 1 OS0049
- 2 MR2170T
- 3 MR2169T
- 4 SW0182
- 5 MR2171T
- 6 OS0050
- 7 MR2172T
- 8 GR0038



Watson-Marlow Pumps Group
Telephone +44 (0) 1326 370370
Fax +44 (0) 1326 376009
E-mail: info@watson-marlow.co.uk
www.watson-marlow.com

Members of the Spirax Sarco Engineering Group

**WATSON
MARLOW**
Pumps

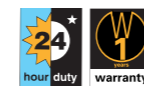
The information contained in this document is believed to be correct, but the Watson-Marlow Pumps Group accepts no liability for any errors it contains, and reserves the right to alter specifications without notice.

WARNING
This product is not designed for use in, and should not be used for, patient-connected applications.

PB0293/10



0.25kg



DS Cole
David Cole, Managing director



2006/95/EC
2006/42/EC
2004/108/EC

**WATSON
MARLOW**
Pumps

620AL

